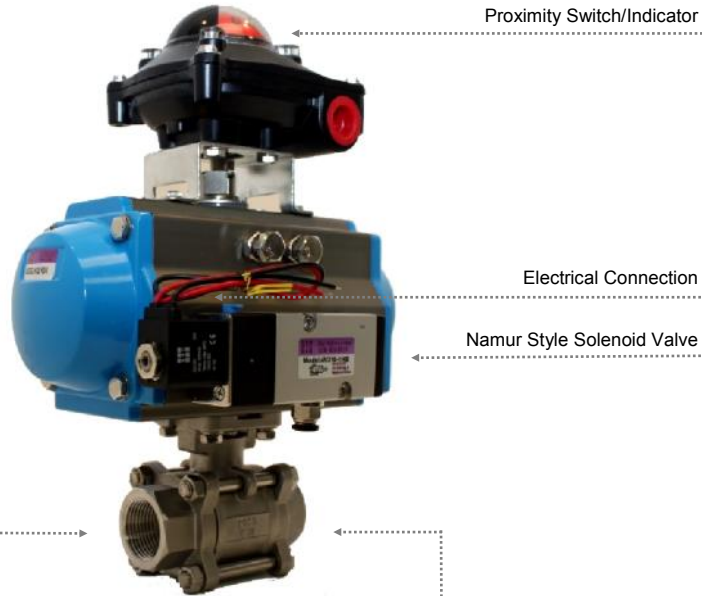


STC KS/KD Air Actuated Ball Valves

316 Stainless Steel, 2-Way or 3-Way

Ordering Part No. =
(e.g., KS 2-S-2-D-P)



KS — 2 — S — — — 2-D-P

Model Name		Port Size	Connection		Valve Type		Valve Material		Options		
Single Acting (Spring Return)	KS	1/4"	NPT	(blank)	2 Way, Normally Closed	(blank)	316 SS	(blank)	Namur Solenoid Valve	S	
Double Acting (Air Return)	KD	3/8"	Tri-Clamp	C	2 Way, Normally Open	O			Coil Voltage	12VDC	1
		1/2"	Flange	F						24VDC	2
		3/4"	BSPP	G	3 Way (L Port)	L				24VAC	2A
		1"	BSPT	R	3 Way (T Port)	T				110VAC 50/60HZ	3
		1 1/4"	Socket Weld	S						220VAC 50/60HZ	4
		1 1/2"	Butt Weld	W							
		2"							Control Signal	DIN	D
		2 1/2"								2Lead Wires	G
		3"								1/2" NPT for Conduit	N
		4"								Explosion Proof Coil	E
		6"								Intrinsically Safe Coil (24VDC Only)	IS
										Proximity Switch, 2 SPDT (APL-210N)	P
									Proximity Switch, 2 SPDT Exp. Proof (APL-410)	X	

Part No. for Air Actuators only

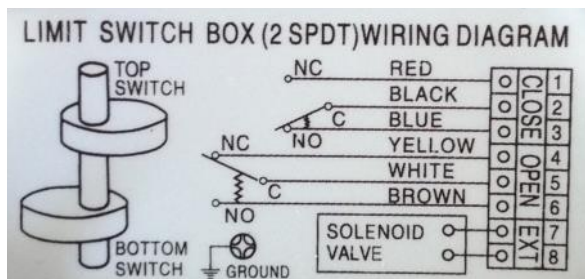
AT — 032 — D

Air Actuator Model	Bore Size	Acting Mode
AT = Air Actuator	32mm	D = Double Acting S = Single Acting
	50mm	
	63mm	
	75mm	
	88mm	
	100mm	
	125mm	
	145mm	
	160mm	



Pneumatic Actuator Accessories

Namur Solenoid Valves for Controlling Air Actuated Valves & Proximity Switches/Position Indicators				
Part No.	Description	Voltage Options	Electrical Connection	Picture
3V310-1/4B	3 Way Namur Single Solenoid Valve (for Single Acting Ball Valve)	1 = 12 VDC 2 = 24VDC	D = DIN G = Grommet (12" Lead Wire)	
3V320-1/4B	3 Way Namur Double Solenoid Valve (for Single Acting Ball Valve)	2A = 24VAC 3 = 110VAC 4 = 220VAC (50/60Hz)		
4V310-1/4B	4 Way Namur Single Solenoid Valve (for Double Acting Ball Valve)			
4V320-1/4B	4 Way Namur Double Solenoid Valve (for Double Acting Ball Valve)			
3V310-1/4B	3 Way Namur Single Solenoid Valve (for Single Acting Ball Valve)	1 = 12 VDC 2 = 24VDC	E = Explosion Proof IS = Intrinsically Safe (24VDC Only)	
3V320-1/4B	3 Way Namur Double Solenoid Valve (for Single Acting Ball Valve)	2A = 24VAC 3 = 110VAC 4 = 220VAC (50/60Hz)		
4V310-1/4B	4 Way Namur Single Solenoid Valve (for Double Acting Ball Valve)			
4V320-1/4B	4 Way Namur Double Solenoid Valve (for Double Acting Ball Valve)			
ASC N1/4B	Flow Control for Namur Valve	N/A		
APL-210N	Position Indicator for Rotary Actuator, IP 67 ENCLOSURE 2 SPDT Mechanical Limit Switches, Visual OPEN/CLOSED Indicator	Max. 250VAC or DC	5A @ 8 to 14VDC 4A @ 30VDC 0.4A @ 125VDC 0.2A @ 250VDC 5A @ 125VAC 3A @ 250VAC	
APL-310N	Position Indicator for Rotary Actuator, 2 SPDT Mechanical Limit Switches, Visual OPEN/CLOSED Indicator	Max. 250VAC or DC	0.6A 125VDC 0.3A 250VDC 16A 125 to 250VAC	
APL-410	Explosion Proof Position Indicator for Rotary Actuator, Exd II BT6, IP 67 ENCLOSURE, 2 SPDT Mechanical Limit Switches, Visual OPEN/CLOSED Indicator	Max. 250VAC or DC	0.6A 125VDC 0.3A 250VDC 15A 125 to 250 VAC	

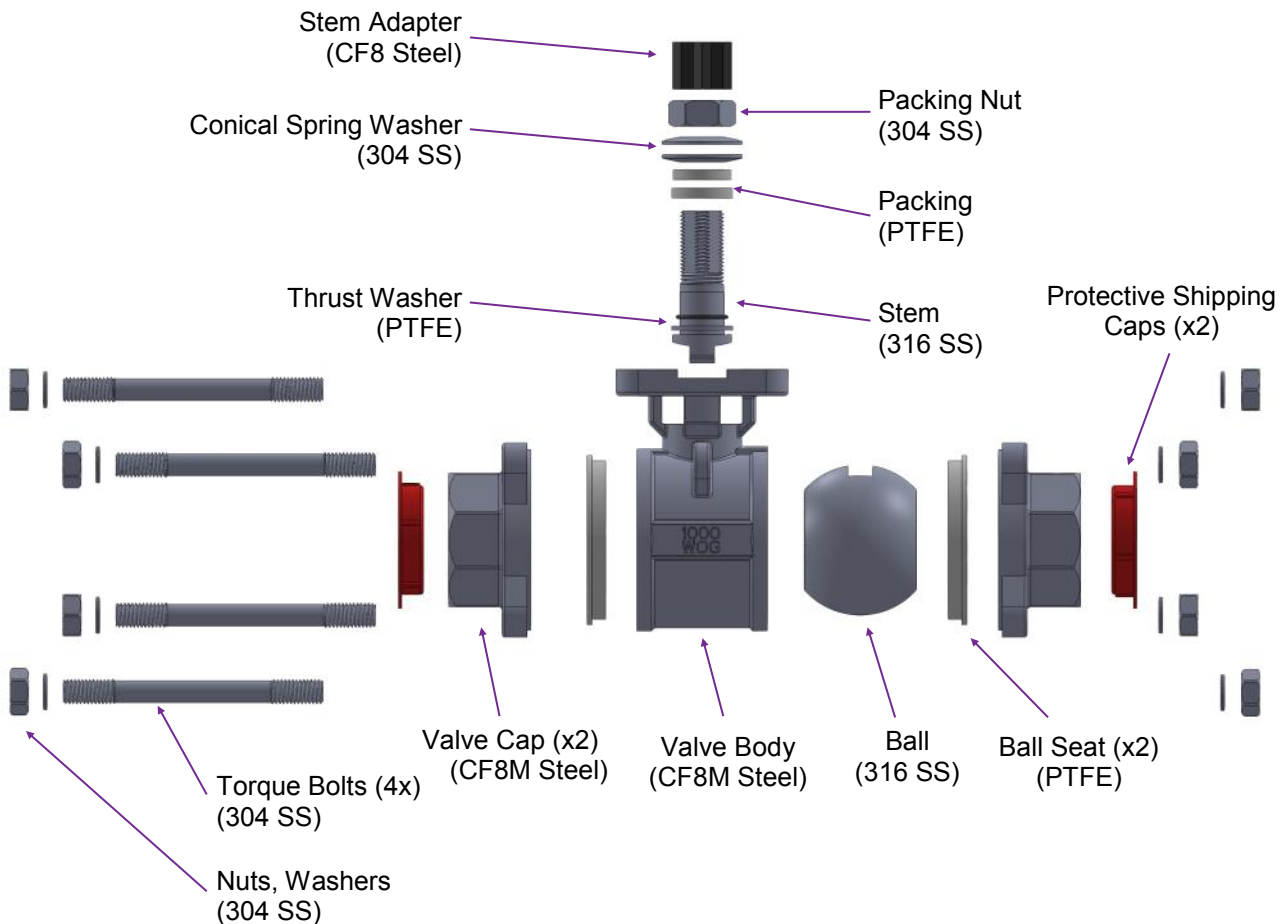
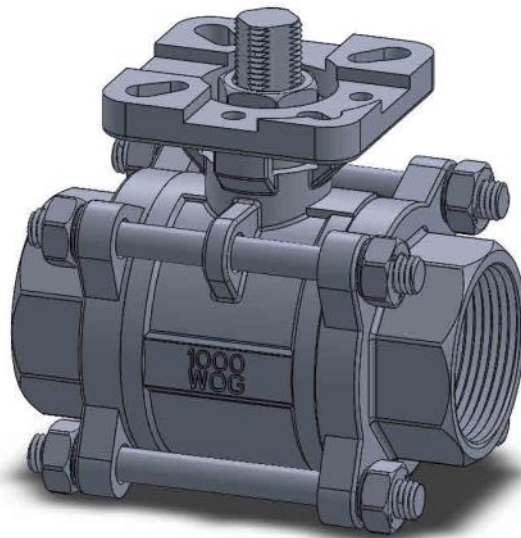


Wiring Diagram



Internal Wiring Setup

Actuated Valve Body Components



Air Actuated Ball Valve Size & Specifications



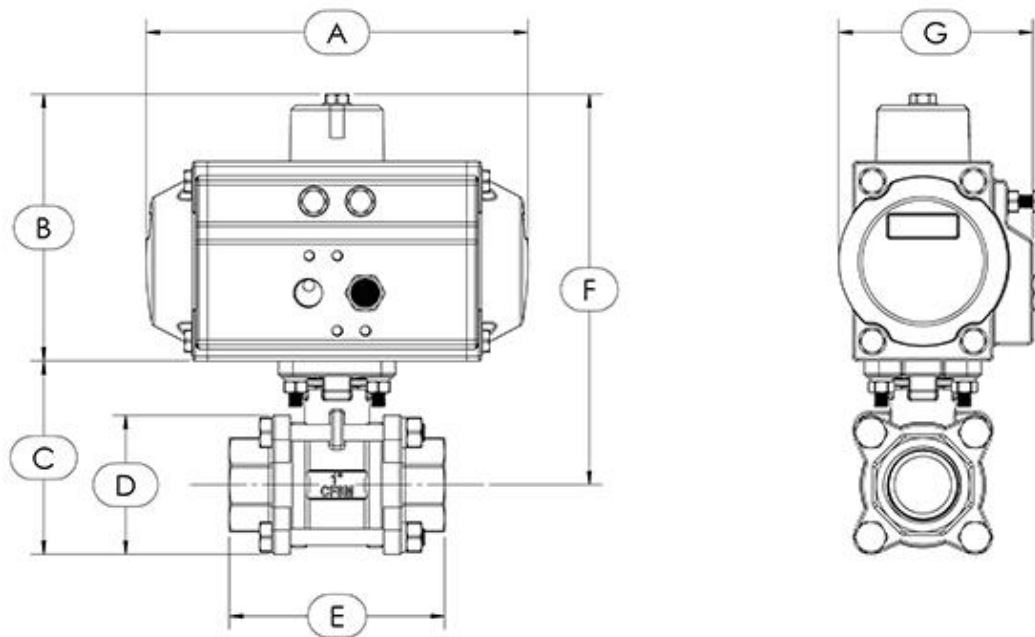
2-Way Valve Body



3-Way Valve Body

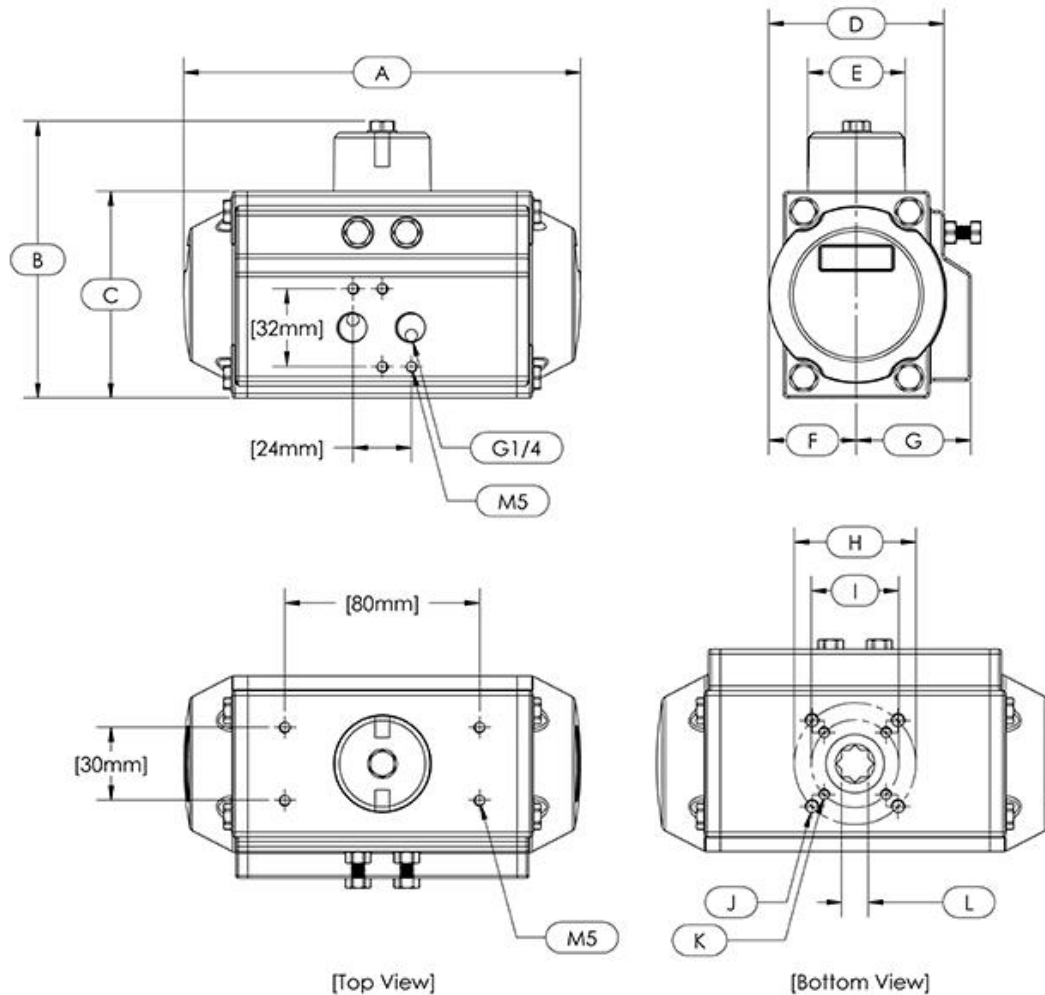
Actuated Valve Body Specifications	
Port	2 Way: Full Port 3 Way: Reduced Port
Mounting Standard	DIN 3203-M3, ISO 5211 MOUNTING PAD, ISO5211 PLATFORM
Media Temperature	-60°F to 450°F (-21°C to 232°C)
Ambient Temperature	-4°F to 176°F (-20°C to 80°C)
Operating Pressure	1/2" to 2": 1000 PSI at 100°F WOG 2 1/2" to 4": 800 PSI at 100°F WOG
Controlling Pressure Range	45 PSI to 120 PSI
Valve Body & Ball	316 Stainless Steel / CF8M
Seat Seals & Packing	PTFE (Teflon)
Installation Orientation	No Orientation Requirement
Controlling Medium	Air, Inert Gas
Service Medium	Air, Gas, Liquid, Steam, Water
Maximum Viscosity	600 mm ² /s

Air Actuated Ball Valve Dimensions & Specifications



Air Actuated Ball Valve Dimensions (mm)									
Single Acting Model	Port Size	Rotary Air Actuator	A	B	C	D	E	F	G
KS 1/4	1/4" NPT	AT050S	146.0	100.1	63.5	48.1	74.6	139.6	70.8
KS 3/8	3/8" NPT	AT050S	146.0	100.1	63.5	48.1	74.6	139.6	70.8
KS 1/2	1/2" NPT	AT063S	163.0	113.8	63.5	48.1	75.0	153.2	83.0
KS 3/4	3/4" NPT	AT063S	163.0	113.8	71.7	54.6	80.3	158.2	83.0
KS 1	1" NPT	AT063S	163.0	113.8	82.4	59.3	92.0	166.5	83.0
KS 1 1/4	1 1/4" NPT	AT075S	215.0	132.9	93.5	73.8	109.8	189.5	95.7
KS 1 1/2	1 1/2" NPT	AT088S	251.5	145.7	105.0	79.6	120.4	210.9	105.0
KS 2	2" NPT	AT088S	251.5	145.7	121.0	93.3	138.6	220.0	105.0
KS 2 1/2	2 1/2" NPT	AT100S	269.0	158.1	160.1	122.4	172.0	257.0	121.0
KS 3	3" NPT	AT125S	356.5	199.7	178.3	141.0	194.0	307.5	148.0
KS 4	4" NPT	AT145S	414.0	191.5	231.4	203.3	251.0	321.3	151.0
Double Acting Model	Port Size	Rotary Air Actuator	A	B	C	D	E	F	G
KD 1/4	1/4" NPT	AT032D	146.1	99.5	63.5	48.1	74.6	139.0	70.8
KD 3/8	3/8" NPT	AT032D	146.1	99.5	63.5	48.1	74.6	139.0	70.8
KD 1/2	1/2" NPT	AT050D	146.0	100.1	63.5	48.1	75.0	139.6	70.8
KD 3/4	3/4" NPT	AT050D	146.0	100.1	71.7	54.6	80.3	144.5	70.8
KD 1	1" NPT	AT050D	146.0	100.1	82.4	59.3	92.0	152.9	70.8
KD 1 1/4	1 1/4" NPT	AT063D	163.0	113.8	93.5	73.8	109.8	170.4	83.0
KD 1 1/2	1 1/2" NPT	AT063D	163.0	113.8	105.0	79.6	120.4	179.0	83.0
KD 2	2" NPT	AT075D	215.0	132.9	121.0	93.3	138.6	207.2	95.7
KD 2 1/2	2 1/2" NPT	AT088D	251.5	145.7	160.1	122.4	172.0	244.6	105.0
KD 3	3" NPT	AT100D	269.0	158.1	178.3	141.0	194.0	265.9	121.0
KD 4	4" NPT	AT125D	356.5	199.7	231.4	203.3	251.0	329.5	148.0

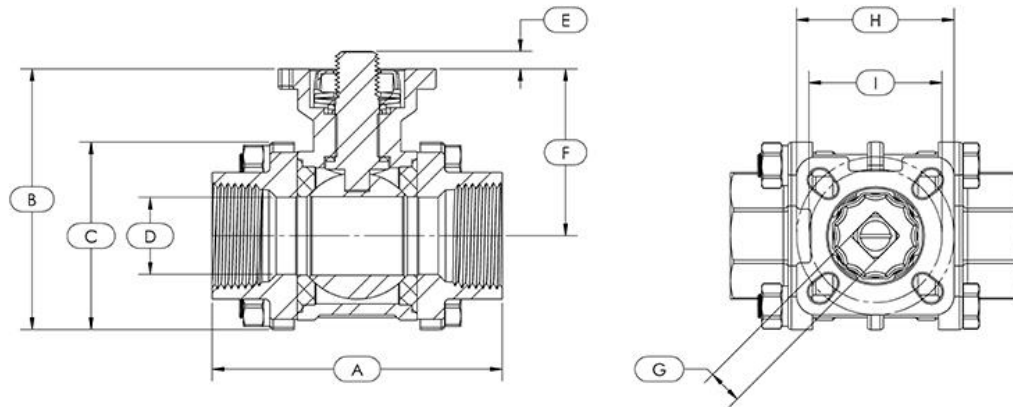
Rotary Air Actuator Dimensions & Specifications



Rotary Air Actuator Dimensions (mm)																	
Double Acting Model	Single Acting Model	Size	A	B	C	D	E	F	G	H	I	J	K	L	A120	A180	Air Connection
AT032D	AT032S	32	146.1	99.5	68.8	60.2	40.0	29.0	41.8	F05/50	F03/36	M6	M5	11			G1/4
AT050D	AT050S	50-52	146.0	100.1	69.4	60.2	40.0	29.0	41.8	F05/50	F03/36	M6	M5	11	158	200	G1/4
AT063D	AT063S	63	163.0	113.8	85.0	72.0	40.0	36.0	47.0	F05/50	F03/36	M6	M5	11	184	233	G1/4
AT075D	AT075S	75	215.0	132.9	102.2	85.0	40.0	42.5	53.2	F07/70	F05/50	M8	M6	17	203	243	G1/4
AT088D	AT088S	85-88	251.5	145.7	115.0	97.3	40.0	49.5	55.5	F07/70	F05/50	M8	M6	17	221	280	G1/4
AT092D	AT092S	92	258.0	137	117.0	98.5	40.0	50.0	61.0	F07/70	F05/50	M8	M6	17	280	374	G1/4
AT100D	AT100S	100-105	269.0	158.1	127.4	108.4	40.0	55.9	65.1	F10/102	F07/70	M10	M8	22	304	388	G1/4
AT125D	AT125S	125	356.5	199.7	157.0	132.0	57.0	68.5	79.5	F10/102	F07/70	M10	M8	27	365	470	G1/4
AT145D	AT145S	140-145	414.0	191.5	171.5	132.0	65.0	75.0	76.0	F12/125	F10/102	M12	M10	27	442	568	G1/4

NOTE: A120 and A180 represent the acting length of the 120° rotation travel and 180° rotation travel, respectively.

Actuated Valve Body Dimensions & Specifications



Actuated Valve Body Dimensions (mm)											
2-Way Valve Body	3-Way Valve Body	Port Size	A	B	C	D	E	F	G	ISO05211 Mounting	
										H	I
V3-1/4-A	V3-1/4-L-A	1/4" NPT	74.6	63.5	48.1	9.8	9.4	39.5	9.0	F04/42	F03/36
V3-3/8-A	V3-3/8-L-A	3/8" NPT	74.6	63.5	48.1	10.3	9.4	39.5	9.0	F04/42	F03/36
V3-1/2-A	V3-1/2-L-A	1/2" NPT	75.0	63.5	48.1	14.3	9.4	39.5	9.0	F04/42	F03/36
V3-3/4-A	V3-3/4-L-A	3/4" NPT	80.3	71.7	54.6	19.7	8.4	44.4	9.0	F04/42	F03/36
V3-1-A	V3-1-L-A	1" NPT	92.0	82.4	59.3	24.4	5.6	52.8	11.0	F05/50	F04/42
V3-1 1/4-A	V3-1 1/4-L-A	1 1/4" NPT	109.8	93.5	73.8	31.7	9.1	56.6	11.0	F05/50	F04/42
V3-1 1/2-A	V3-1 1/2-L-A	1 1/2" NPT	120.4	105.0	79.6	37.7	11.3	65.2	14.0	F07/70	F05/50
V3-2-A	V3-2-L-A	2" NPT	138.6	121.0	93.3	50.0	15.0	74.3	14.0	F07/70	F05/50
V3-2 1/2-A	V3-2 1/2-L-A	2 1/2" NPT	172.0	160.1	122.4	65.0	18.0	98.9	17.0	F07/70	F10/102
V3-3-A	V3-3-L-A	3" NPT	194.0	178.3	141.0	80.0	20.0	107.8	17.0	F07/70	F10/102
V3-4-A	V3-4-L-A	4" NPT	251.0	231.4	203.3	100.0	28.0	129.8	19.0	F07/70	F10/102

Rotary Air Actuator Dimensions & Specifications

AIR ACTUATOR KEY FEATURES:

1. Full conformance to the specifications of: ISO5211, DIN3337, VDI/VDE3845, NAMUR.
2. The extruded high strength aluminum bodies are precision honed and hard anodized yielding an internal bore surface that can provide low coefficient of friction, smooth performance and a long service life.
3. All acting surfaces are fitted with high quality bearings, resulting in low friction, quite and high cycle life.
4. The two independent external travel stop adjustment bolts can easily and precisely adjust up to $\pm 5^\circ$ at both open and closed directions.
5. Multifunction position indicator with NAMUR standard is convenient for mounting accessories.
6. Pre-compressed load springs are convenient for safe mounting and disassemble operations.
7. Die-casted aluminum pistons and end caps are high strength and light weight.
8. Optional Viton and Silicone seals are available for low and high temperature applications.
9. Life Cycle of the *Actuator*: Approx. 800,000 cycles (under normal conditions — e.g., room temperature, not extreme conditions, normal PSI, not abrasive fluid). However, the valve will have to be replaced approximately 10x during the life span of the actuator.

Pneumatic Actuator Specifications	
Actuator Standard	ISO5211, DIN3337, VDI/VDE3845, NAMUR
Actuator Controlling Pressure Range	45 PSI to 120 PSI
Temperature Range	Standard: -4°F to 176°F (-20°C to 80°C) High Temperature Option: 5°F to 302°F (-15°C to 150°C) Low Temperature Option: -40°F to 176°F (-40°C to 80°C)
Materials	Housing & End Cap: Aluminum O-Rings: standard: Buna N, Options: fluorocarbon FKM, or silicone Mounting Bracket 316 stainless steel

Pneumatic Actuator and Valve Model Selection							
316 SS 3 Piece Ball Valve Size	Double Acting Actuator Size (mm)	Single Acting Actuator Size (mm)	Mounting Std. ISO5211	Double Acting Torque (in-lbs)	Air Pressure*	Model No.	
						Single Acting	Double Acting
1/4"	32	50	F03-F04	87	100 PSI	KS 1/4	KD 1/4
3/8"	32	50	F03-F04	87	100 PSI	KS 3/8	KD 3/8
1/2"	50	63	F03-F04	226	100 PSI	KS 1/2	KD 1/2
3/4"	50	63	F03-F04	226	100 PSI	KS 3/4	KD 3/4
1"	50	63	F04-F05	226	100 PSI	KS 1	KD 1
1 1/4"	63	75	F04-F05	405	100 PSI	KS 1 1/4	KD 1 1/4
1 1/2"	63	88	F05-F07	405	100 PSI	KS 1 1/2	KD 1 1/2
2"	75	88	F05-F07	737	100 PSI	KS 2	KD 2
2 1/2"	88	100	F07-F10	1072	100 PSI	KS 2 1/2	KD 2 1/2
3"	100	125	F07-F10	2230	100 PSI	KS 3	KD 3
4"	125	145	F07-F10	3654	100 PSI	KS 4	KD 4

* Actuator Controlling Pressure Range 45 to 120 PSI



Torque Output

Double Acting Pneumatic Actuator Torque Output (in-lbs)

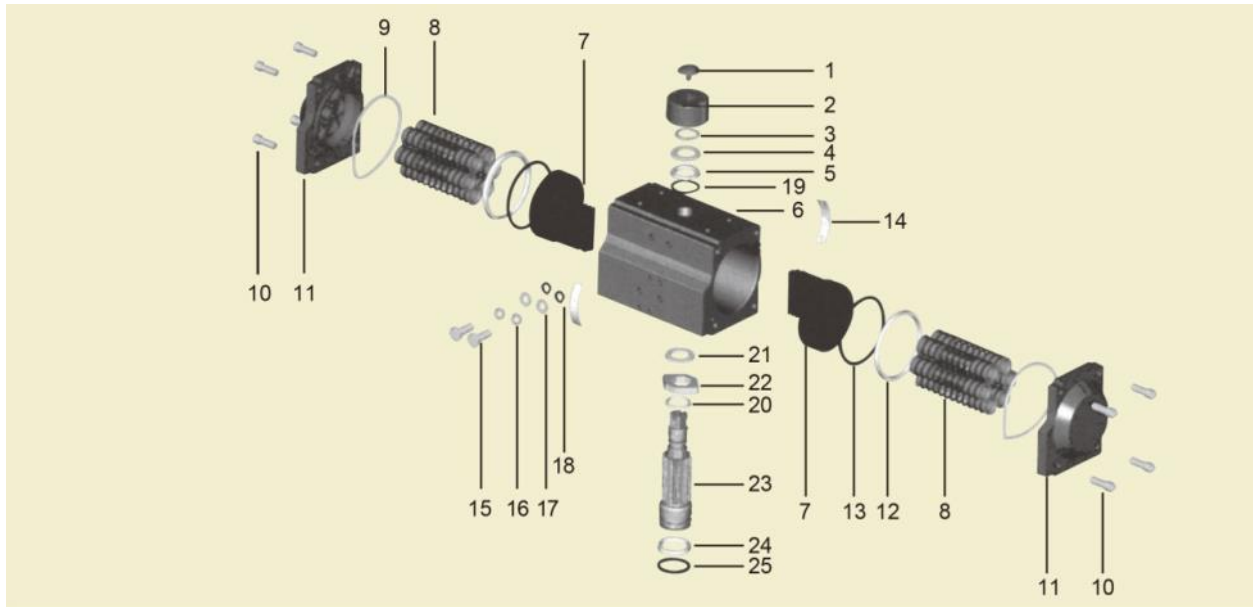
Double Acting Actuator Size	Air Pressure (PSI)							
	40	50	60	70	80	90	100	115
32	34	43	55	64	71	82	87	101
50-52	85	110	133	156	179	203	226	261
63	154	196	238	280	321	363	405	458
75	284	360	435	511	586	661	737	850
85-88	408	518	629	740	851	962	1072	1238
92	527	668	810	951	1093	1234	1376	1588
100-105	858	1087	1315	1544	1773	2000	2230	2573
125	1409	1783	2157	2532	2906	3280	3654	4216
140-145	2209	2511	3013	3515	4018	4513	5015	5772

Single Acting Pneumatic Actuator Output Torque (Nm)

Air Pressure (bar)	Actuator Size	# of Spring	3		4		5		6		7		Spring Stroke			
			0°	90°	0°	90°	0°	90°	0°	90°	0°	90°	0°	90°		
50-52	50-52	5	8.48	6.28	12.64	10.44								4	6.2	
		6	7.68	4.98	11.84	9.14								4.8	7.5	
		7	6.98	3.78	11.14	7.94								5.5	8.7	
		8			10.34	6.74	14.5	10.9						6.3	9.9	
		9			9.54	5.44	13.7	9.6						7.1	11.2	
		10			8.74	4.24	12.9	8.4	17.06	12.56				7.9	12.4	
		11					12.1	7.1	16.26	11.26	20.42	15.42		8.7	13.7	
		12					11.3	5.9	15.46	10.06	19.62	14.22		9.5	14.9	
		63	63	5	15	11.2	22.3	18.5	29.6	25.8					7	10.8
				6	13.5	9	20.8	16.3	28.1	23.7					8.5	12.9
				7	12	6.9	19.4	14.2	26.7	21.5					9.9	15.1
				8			18	12	25.3	19.3	32.6	26.6			11.3	17.3
9					16.5	9.9	23.9	17.2	31.2	24.5			12.7	19.4		
10					15.3	7.7	22.6	15	29.9	22.3	37.2	29.6	14	21.6		
75	75	11			13.8	5.6	21.1	12.9	28.4	20.2	35.7	27.5	15.5	23.7		
		12					19.7	10.7	27	18	34.3	25.3	16.9	25.9		
		5	23.4	17.8	35.1	29.5							11.9	17.5		
		6	21.1	14.3	32.8	26							14.2	21		
		7	18.7	10.8	30.4	22.5							16.6	24.5		
		8			28	19	39.8	30.8					19	28		
83-88	83-88	9			25.7	15.5	37.5	27.3				21.3	31.5			
		10			23.3	12	35.1	23.8	46.8	35.5	58.6	47.3	23.7	35		
		11					32.7	20.3	44.4	32	56.2	43.8	26.1	38.5		
		12					30.4	16.8	42.1	28.5	53.9	40.3	28.4	42		
		5	30.9	23.8	46.1	38.9							14.5	21.7		
		6	28.1	19.5	43.3	34.6							17.4	26		
92	92	7	25.2	15.1	40.3	30.2						20.3	30.4			
		8			37.4	25.9	52.6	41.1				23.2	34.7			
		9			34.5	21.5	49.7	36.7				26.1	39.1			
		10			31.6	17.2	46.8	32.4	62	47.6	77.1	62.7	29	43.4		
		11					43.9	28.1	59.1	43.3	74.2	58.4	31.9	47.7		
		12					41	23.7	56.2	38.8	71.3	54	34.8	52.1		
100-105	100-105	5	50.3	37.8	75.6	63						25.5	38			
		6	45.2	30.2	70.4	55.4						30.6	45.6			
		7	40.1	22.6	65.3	47.8						35.7	53.2			
		8			60.2	40.2	85.5	65.5				40.8	60.8			
		9			55.1	32.7	80.4	57.9				45.9	68.4			
		10			50	25	75.3	50.3	100.6	75.6	125.8	100.8	51	76		
125	125	11						70.2	42.7	95.5	68	120.7	93.2	56.1	83.6	
		12					65.1	35.1	90.4	60.4	115.6	85.6	61.2	91.2		
		5	68.6	52	103.6	87						33.2	49.8			
		6	61.9	42	96.9	77						39.9	59.8			
		7	55.3	32.1	90.3	67.1						46.5	69.7			
		8			83.7	57.1	116.6	90				53.1	79.7			
140-145	140-145	9			77	47.4	109.9	80.3			59.8	89.4				
		10			70.4	37.2	103.3	70.1	137.3	104	171.2	138	66.4	99.6		
		11					96.7	60.1	130.6	94	164.6	128	73	109.6		
		12					90	50.2	123.9	64.1	157.9	118.1	79.7	119.5		
		5	115.5	88	173.8	146.3						59.4	86.9			
		6	103.6	70.6	161.9	128.9						71.3	104.3			
175	175	7	91.8	53.5	150.1	111.6					83.1	121.6				
		8			138.2	94.2	196.5	152.5			65	139				
		9			126.3	76.8	184.6	135.1			106.9	156.4				
		10			114.4	59.4	172.7	117.7	231	176	118.8	173.8				
		11					160.9	100.4	219.2	158.7	277.5	217	130.6	191.1		
		12					149	83	207.3	141.3	265.6	199.6	142.5	208.5		



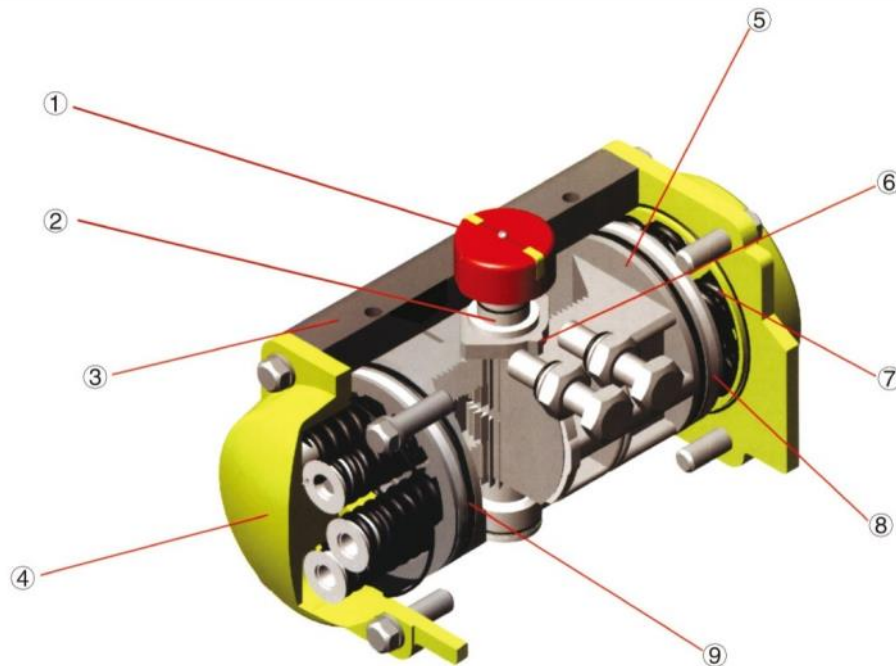
Pneumatic Actuator Materials of Construction



Qty	Name	Qty	Material	Finish	Option
1	Indicator Screw	1	Plastic		
2	Indicator	1	Plastic		
3	Spring Clip	1	Stainless Steel		
4	Washer	1	Stainless Steel		
5	Outside Washer	1	PTFE		
6	Body	1	Extruded Aluminum	Hard Anodized	
7	Piston	2	Extruded Aluminum	Anodized/Zinc Galvanized	Stainless Steel
8	Spring-Integrated	*	Spring Steel	Dip Coating	
9	O-Ring (End Cap)	2	NBR		Viton / Silicone
10	Cap Screw	8	Stainless Steel		
11	End Cap	2	Aluminum Alloy	Polyester Powder Painted	
12	Piston Bearing	2	Engineering Plastic		
13	Piston O-Ring	2	NBR		Viton / Silicone
14	Piston Guide	2	Engineering Plastic		
15	Adjustment Screw	2	Stainless Steel		
16	Adjust Screw Nut	2	Stainless Steel		
17	Adjustment Screw Washer	2	Stainless Steel		
18	Adjustment Screw O-Ring	2	NBR		Viton / Silicone
19	Pinion Top O-Ring	1	NBR		Viton / Silicone
20	Pinion Top Bearing	1	Engineering Plastic		
21	Inside Washer	1	PTFE		
22	Cam	1	Alloy Steel		
23	Pinion	1	Alloy Steel	Nickel Plated	Stainless Steel
24	Pinion Bottom O-Ring	1	Engineering Plastic		
25	Pinion Bottom Bearing	1	NBR		Viton / Silicone



Internal Structure

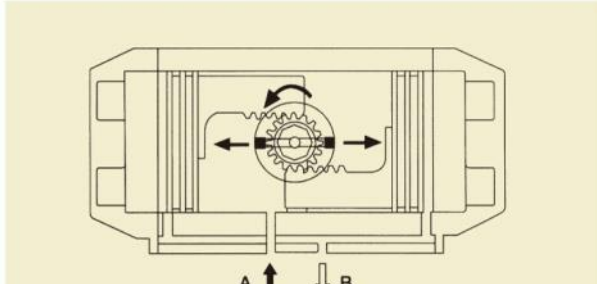


1. Indicator: Position indicator with NAMUR standard is convenient for mounting accessories such as Limit Switch box positioned etc.
2. Pinion: The pinion is high precision and integrative, made from nickel plated alloy steel, full conform to the latest standards of ISO5211, DIN3337, VDI/VDE3845, NAMUR. The dimensions and the stainless steel option can be customized for specific applications.
3. Actuator Body: The extruded aluminum alloy ASTM 6005 body can be treated with hard anodized, polyester power coated, PTFE or Nickel Plated.
4. End Caps: Die-casting aluminum polyester powder coated, PTFE or Nickel-plated.
5. Pistons: The twin rack pistons are made from die-casted aluminum treated with hard anodized or made from casted steel with galvanization. Symmetric mounting position, long cycle life and fast operation, reversing rotation by simply inverting the pistons.
6. Travel Adjustment: The two independent external travel stop adjustment bolts can adjust $\pm 5^\circ$ at both open and close direction easily and precisely.
7. High performance spring: Preloaded coated springs are made from high quality material for resistant to corrosion and long service life, which can be dismantled safely and conveniently to meet different torque requirements by changing the number of springs.
8. Bearing and Guides: Made from low friction, long-life compound material, to avoid the direct contact between metals. The maintenance and replacement are easy and convenient.
9. O-rings: Standard: NBR, High and low temperature; Viton or Silicone are available as options.

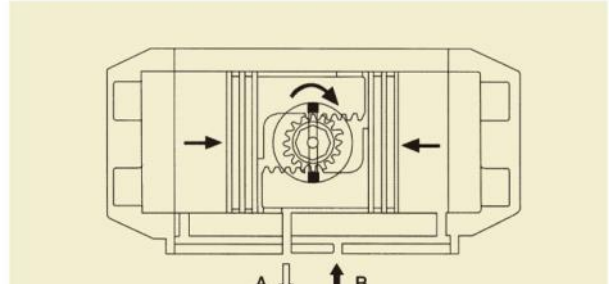
Principles of Operation

PNEUMATIC ACTUATOR PRINCIPLE OF OPERATION

1. Double Acting

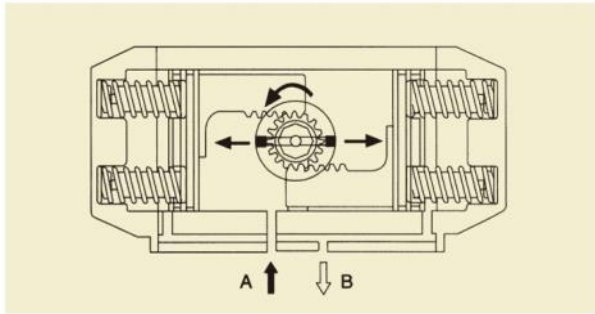


Air into Port A forces the pistons outwards, causing the pinion to turn counterclockwise while the air being exhausted from Port B.

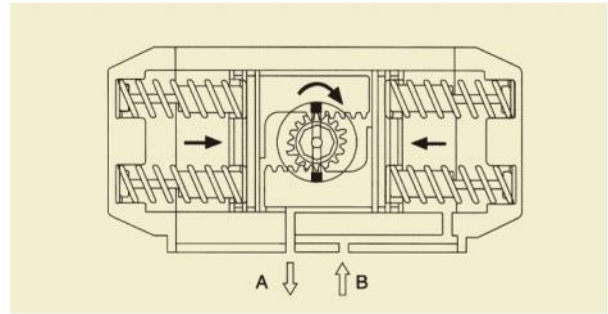


Air into Port B forces the pistons inwards, causing the pinion to turn clockwise while the air is being exhausted from Port A.

2. Single Acting:

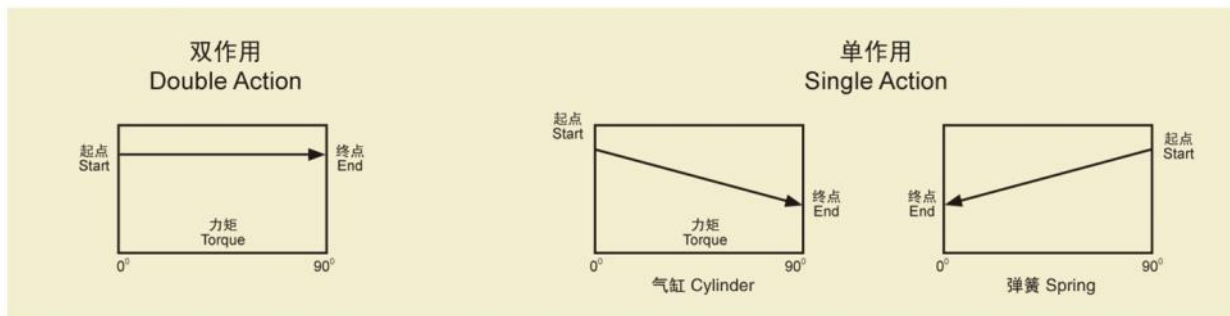


Air into Port A forces the pistons outwards, causing the springs to compress, the pinion turns counterclockwise while air is being exhausted from Port B.



In the event of loss air pressure or power, the stored energy in the springs forces the pistons inwards, causing the pinion turns clockwise while air is being exhausted from Port A, and air to Port B can accelerate closing the valve.

PNEUMATIC ACTUATOR TORQUE DIAGRAM



Namur Solenoid Valve Installation

1. Lay out the KS/KD series air actuated ball valve with the control ports on the air actuator facing upward as in FIG. 1 below.
2. Make sure the O-ring(s) is properly seated on port in the Namur solenoid valve as in FIG. 2 below.
3. Put the Namur solenoid valve on top of the KS/KD actuator with the solenoid coil on the left side as shown in FIG. 3.
4. Fasten the Namur solenoid valve onto the KS/KD actuator with the two socket head screws as shown in FIG. 4 and tighten to 1.5 to 2 lb-ft. torque.
5. Connect the supply air to port P as shown in FIG. 4, connect a muffler to the exhaust port is recommended.
6. Follow the electrical connection procedure to connect the coil on the Namur solenoid valve.

FIG. 1

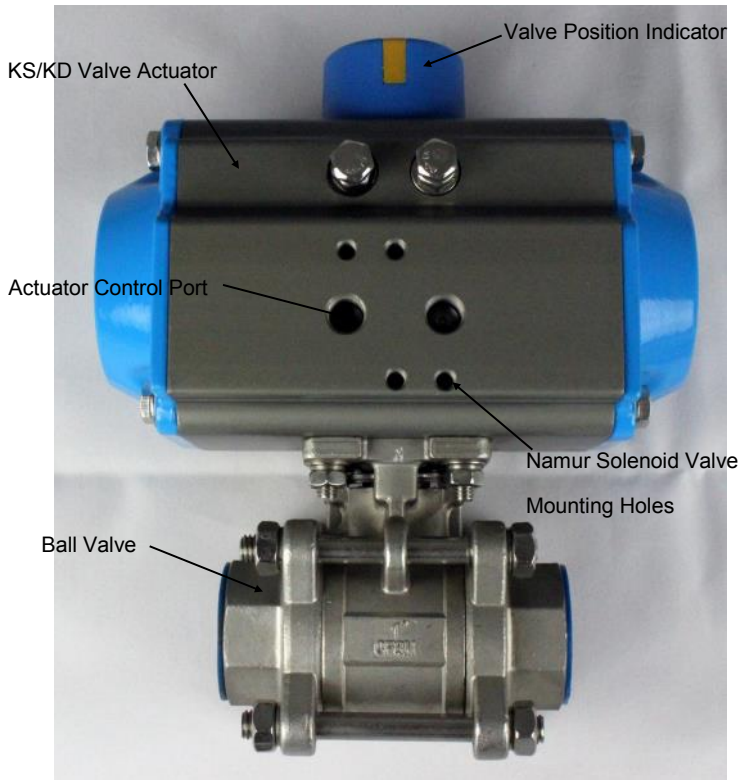


FIG. 3

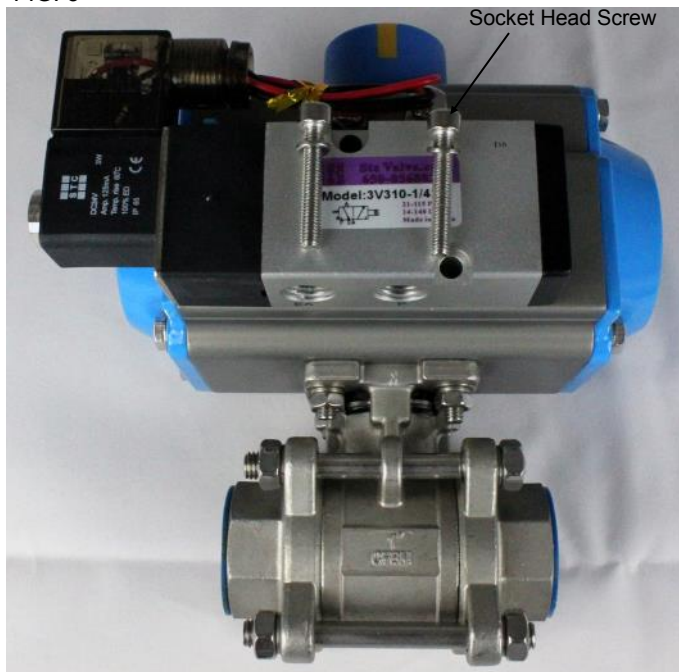


FIG. 2

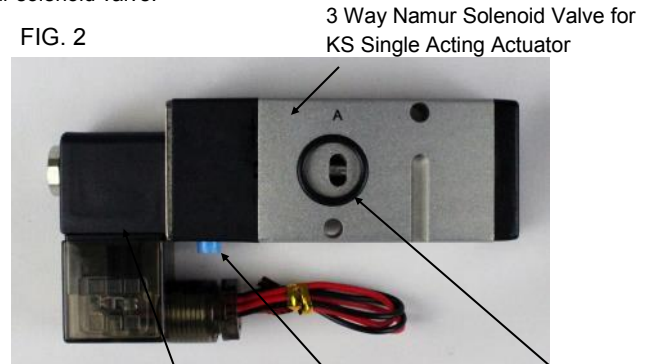


FIG. 2A

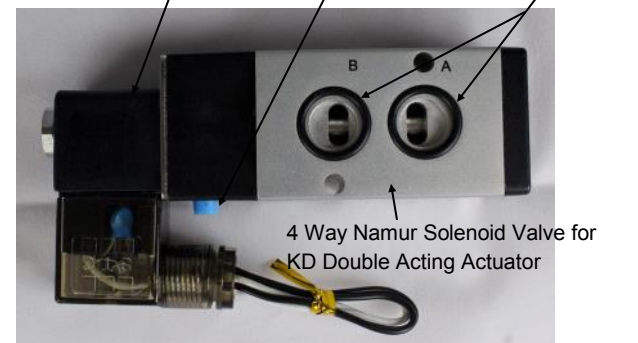


FIG. 4



Electrical Connection Procedure

ELECTRICAL CONNECTION PROCEDURE

A: DIN Connector:

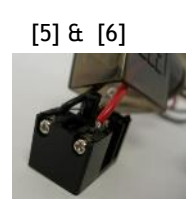
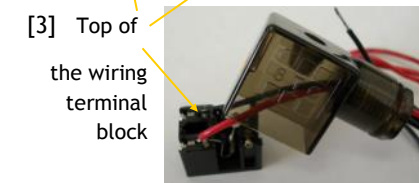
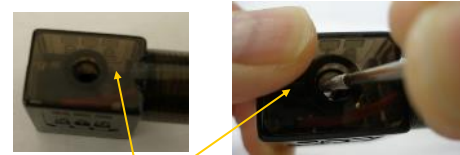
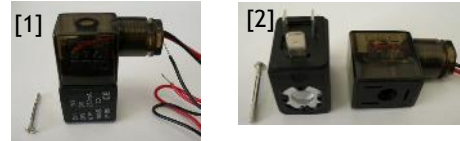
1. Remove the Philip screw from the plastic housing.
2. Unplug the plastic housing from the DIN coil.
3. From the screw opening, use the screw to push the terminal block out of the plastic housing.
4. Note the 1, 2, and ground markings on underside of DIN enclosure.
5. For DC DIN coil, connect 1 to positive, 2 to negative.
6. For AC DIN coil, connect 1 to HOT wire, 2 to neutral wire, and if required connect ground to ground wire.

B: Grommet/Lead Wire Connector:

DC: Red=Positive, Black=Negative

AC: Black=Hot, White=Neutral/Common

To download detail procedure: please visit www.StcValve.com



Installation Guide

Note: This valve is designed to be controlled by air flow only. Any kind of COMPATIBLE fluid may flow through the valve body.

Warning: When tightening any connections to the valve, do not use the actuator as leverage. Doing so may damage the joint between the actuator and the valve.

Adjusting the valve's default position:

1. Remove the four bolts underneath the actuator.
2. Separate the actuator from the valve.
3. Rotate the valve to the desired default position.
4. Place the actuator back on the valve and screw everything back into place.

Connection to fluid supply:

1. Connect the main fluid ball valve to the primary source and primary outlet.
2. Connect the control supply to the actuator. If the actuator is double acting, air supplied to the right port will open the valve, and the air supplied to the left port will close the valve.

Connection to Position Indicator:

1. Remove the bolt and cap covering the slot at the top of the actuator.
2. Set the indicator to the default/current position and place it so that the key fits in the slot.
3. Screw the bracket holding the indicator in place.

Adjustment:

The angle of the actuator can be adjusted if the actuator becomes misaligned during operation. To realign the actuator, adjust the two screws near the top of the actuator, above the air supply ports. Ensure that the screws are tightened down after adjustment.

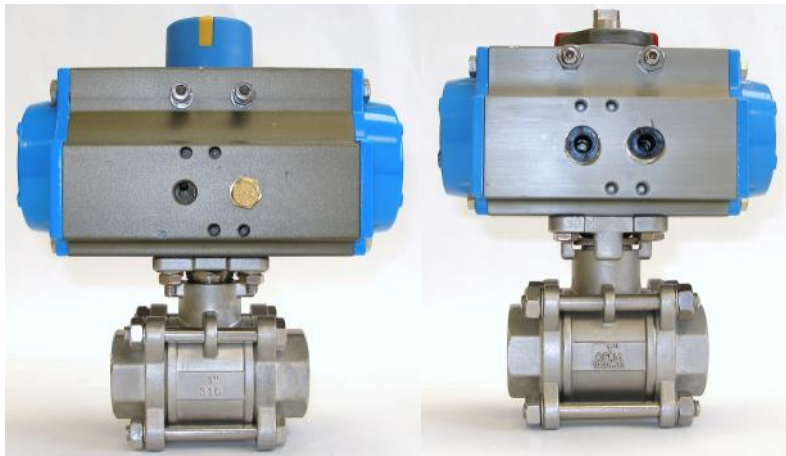


Figure 1: [Left] Model KS-1 and [Right] Mode KD-1. Main valve body is under the actuator.



Figure 2: KD-1 1/2 with solenoid controller and indicator attached.



Figure 3: Valve without actuator. The key may be rotated to either normally open or closed position.

Maintenance

Note: This valve is designed to last for an extended time period. However, common maintenance is necessary. If a leak begins to develop on the valve body, please consult these common maintenance procedures for a solution.

Warning: When tightening any connections to the valve, do not use the actuator as leverage. Doing so may damage the joint between the actuator and the valve.

Tightening the seal between the valve and the actuator:

This valve does not have a dynamic seal (i.e., no spring), therefore as the valve ages, the seal between the valve and the actuator body must be periodically tightened manually.

1. Remove the four bolts underneath the actuator.
2. Separate the actuator from the valve.
3. Tighten the nut on the top of the valve body. See figure one for location.
4. Place the actuator back on the valve and screw everything back into place.

Tightening the seals between the valve and the inlet/outlet ports:

Leaks developing in the inlet/outlet ports are often caused by inconsistent tightening of the torque bolts on the valve body. If this occurs, make sure to use a consistent method of tightening these bolts to ensure consistent torque.

1. Remove the torque bolts and check for any debris or damage to the gaskets.
2. Use a torque wrench or other consistent method of tightening the torque bolts to reconnect the inlet and outlet ports.

Reference Figures:

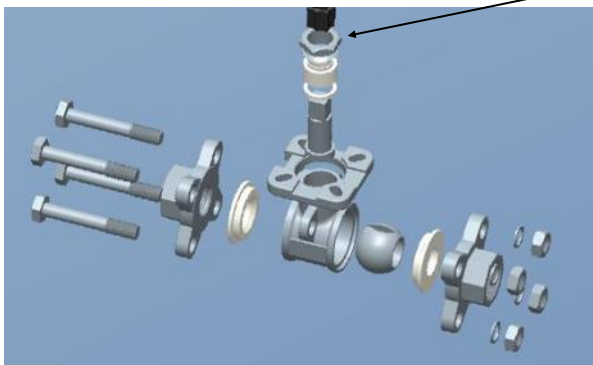


Figure 1: Exploded view of valve body with tightening nut indicated.

Tightening Nut

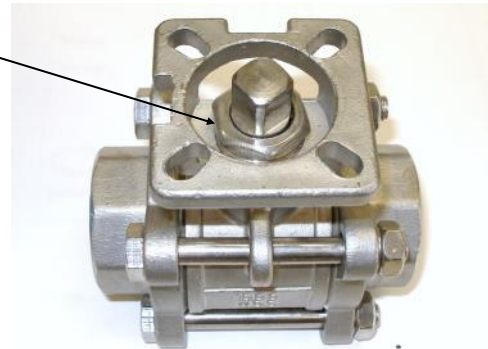


Figure 2: Valve Body without actuator with tightening nut indicated.

Torque Bolts (4x)

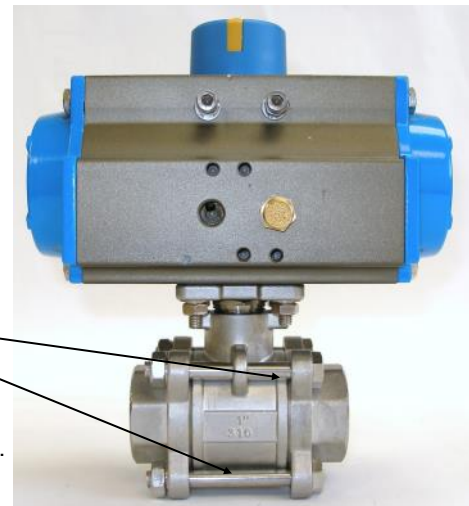
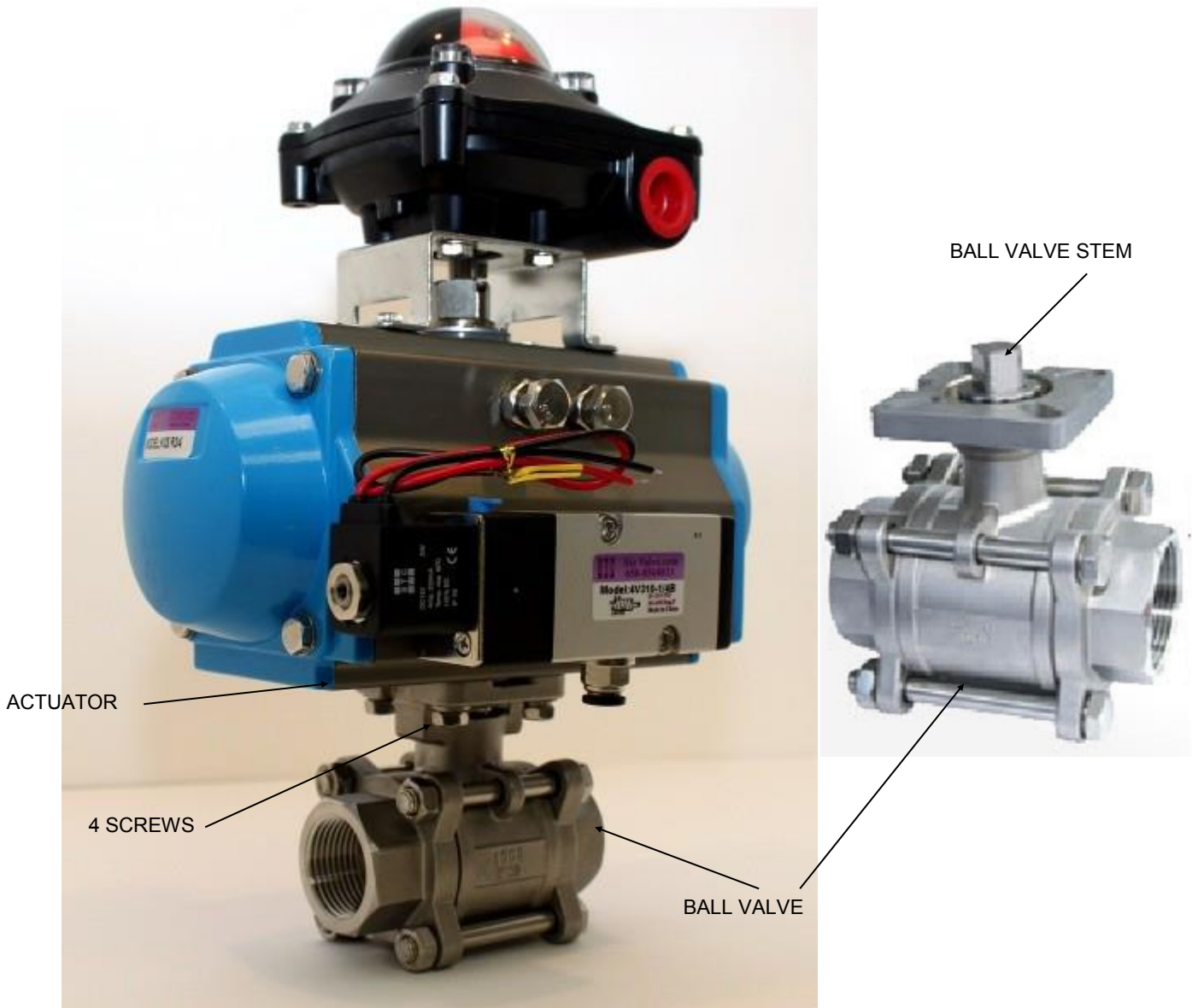


Figure 3: Model KS-1 with torque bolts indicated.

Reconfiguration



To re-configure a normally closed valve to a normally open valve:

1. Turn off the air supply to the air actuator.
2. Remove the 4 SCREWS on the bottom of the ACTUATOR.
3. Remove the BALL VALVE from the ACTUATOR.
4. Turn the BALL VALVE STEM on the ball valve 90 degree such at the valve is fully open (visually inspect the ball to make sure it is open).
5. Put the BALL VALVE back into the ACTUATOR and re-install the 4 SCREWS.

Terms & Conditions

By purchasing from SIZTO TECH CORPORATION (STC), you agree to these TERMS AND CONDITIONS. No other terms shall apply except as agreed in writing & signed by STC. We reserve the right to correct typographic errors and reject orders.

SHIPMENTS:

All shipments are F.O.B. 892 Commercial Street, Palo Alto, CA 94303, USA. Most orders are shipped via UPS Standard Ground unless instructions accompany order. Outside the UPS zones, shipment will be made Best Way. The responsibility for goods delay, lost or damaged in transit rests with the carrier and purchaser. Purchaser may purchase shipping insurance to cover lost or damaged products caused by shipping.

RETURN OF MERCHANDISE:

No merchandise is accepted for return 30 days after delivery date. No credit allowed on merchandise shipped as ordered and returned without obtaining an authorization number IN ADVANCE. A 20% restocking charge applies to all returns, and transportation charges must be fully prepaid. We will pay **ground** transportation charges on re-sent or returned merchandise due to STC's error.

Shortages & Mis-Shipments: Any shortages or mis-shipments must be reported within 15 days.

CANCELLATION POLICY:

Blanket orders can be canceled 90 days before scheduled ship date. There will be a 10% charge if a blanket order is canceled within 90 days of scheduled ship date, and a 20% charge if canceled within 60 days. Regular orders for non-custom parts can be canceled any time before the order is shipped. For custom parts, a 30% down payment is required either at the time of order or 90 days prior to scheduled ship date, whichever comes later.

Remittances should be sent to:

Sizto Tech Corporation, 892 Commercial Street, Palo Alto, CA 94303, USA

Credit Card Payments: Visa, MasterCard, Discover, or American Express accepted

International Customers: Advance Payment Required via Bank Wire, Cashier's Check or Approved Credit Card.

Credit Application: To establish a net 30 day account, please mail or fax three trade references with complete mailing addresses and account numbers, or request an STC Credit Application.

LIMITED WARRANTY – IMPORTANT NOTICE TO PURCHASER:

Sizto Tech Corporation (STC) only warrants this product to be free from defects in materials and workmanship at the time of shipment. This limited warranty expires one year after delivery to the end-user. STC's entire obligation to the Purchaser for breach of this limited warranty shall be limited to replacement of the defective product or refund of the original purchase price of this product, at STC's option. Purchaser has thirty (30) days to return the goods after STC has agreed to accept the return. All freight charges on returned material shall be paid by the Purchaser. STC's limited warranty shall not apply, however, to the product that have been subjected to misuse, alteration, accident or negligence during handling or storage.

DISCLAIMER OF IMPLIED WARRANTIES:

All implied warranties, which may arise by implication of law or application of course of dealing or usage of trade, including, but not limited to, implied warranties of merchantability or fitness for a particular purpose are expressly excluded. There are no warranties, which extend beyond the description of the faced hereof. The end user is solely responsible for the suitability and fitness of this product selected for a particular application.

OBLIGATIONS

You warrant, represent and agree: (1) to comply with all laws; (2) that our sale and shipment of the product will not, by export thereof, your legal status or otherwise, cause us to violate any law; and (3) to indemnify us against any losses from a failure by you or a third party to comply with law or these terms and conditions, or from use of the product.

SAFETY

WARNING: Improper Selection or Failure to follow Usage Instructions of the products described on the Sizto Tech Corporation (STC) Internet Site and its related publications can cause Death, Personal Injury, and Property Damage. All system set-ups require the supervision of a qualified individual who is familiar with installation, inspection and testing through training or experience.

IMPORTANT NOTICE:

All prices are subject to change without notice. We continuously improve the products, and we reserve the right to change specifications without incurring any obligation to incorporate new factors in equipment previously sold.

Information contained herein may be changed without prior notification.

Sizto Tech Corporation

892 Commercial Street

Palo Alto, CA 94043 USA

Tel: 650-856-8833 | Fax: 650-856-8811

Email: Sales@StcValve.com | www.StcValve.com



www.StcValve.com